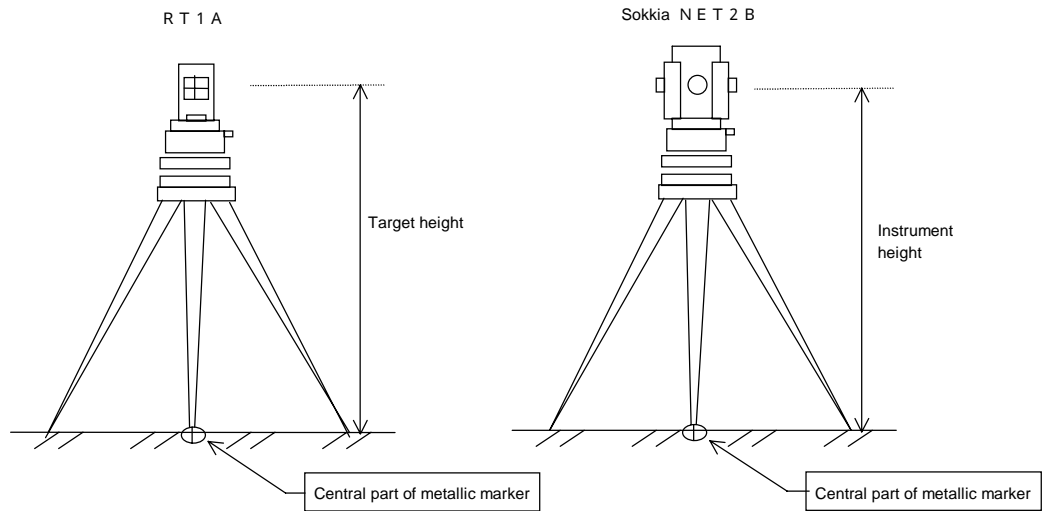


Record Surveying Points

Station name	Kashima station	Type of marker	Metallic marker
Name	Ground Marker	Type of Target	R T 1 A
Name of point	S V E Y X 3	Size of Target	9 0 m m

Detailed drawing



Rough sketch of the area near the point

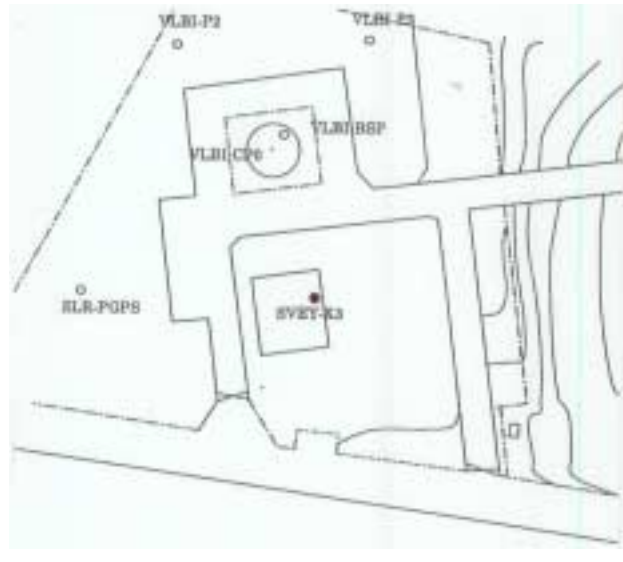


Photo of the point



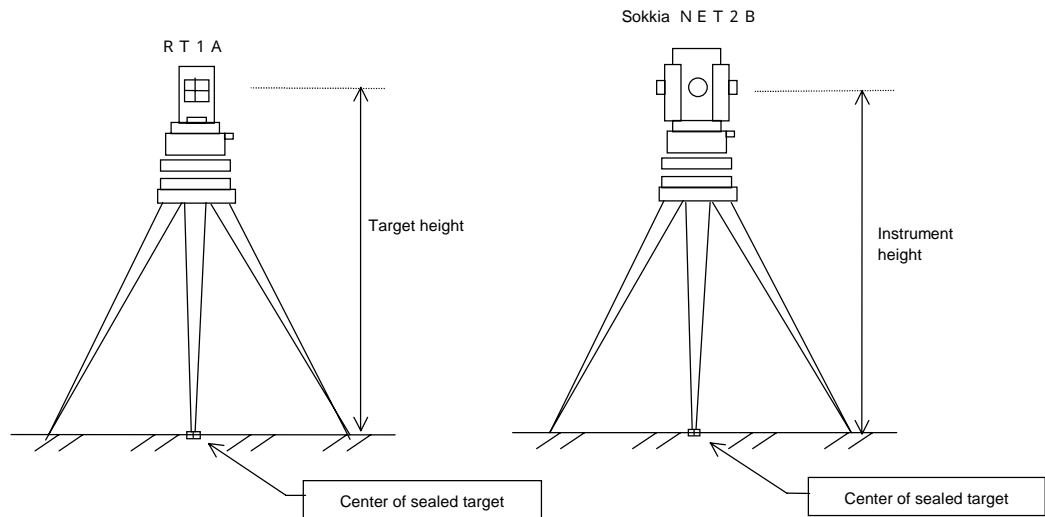
Remarks

Ground marker was an additional point to complete the survey network.

Record Surveying Points

Station name	Kashima station	Type of marker	Sealed target
Name	Ground Marker	Type of Target	R T 1 A
Name of point	S V E Y X 4	Size of Target	9 0 m m

Detailed drawing



Rough sketch of the area near the point

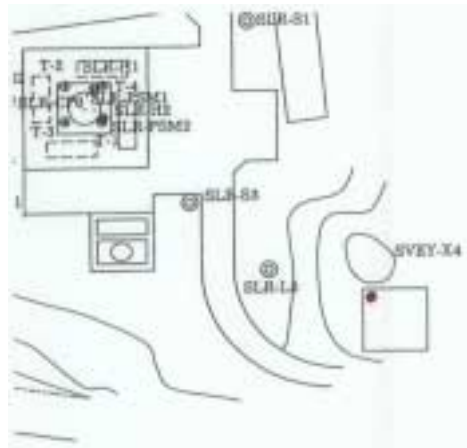


Photo of the point



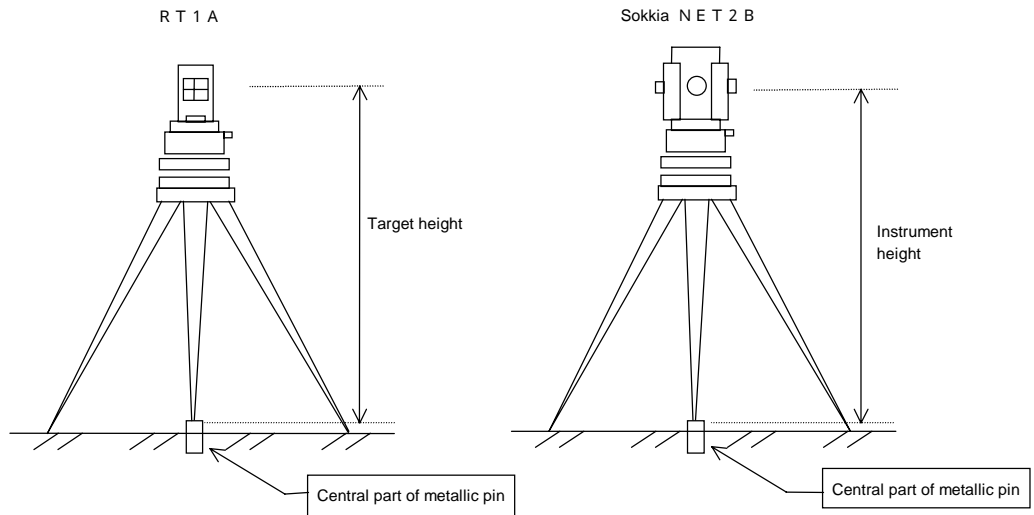
Remarks

Ground marker was an additional point to complete the survey network.

Record Surveying Points

Station name	Kashima station	Type of marker	Wooden post
Name	Ground Marker	Type of Target	R T 1 A
Name of point	S V E Y X 5	Size of Target	9 0 m m

Detailed drawing



Rough sketch of the area near the point



Photo of the point



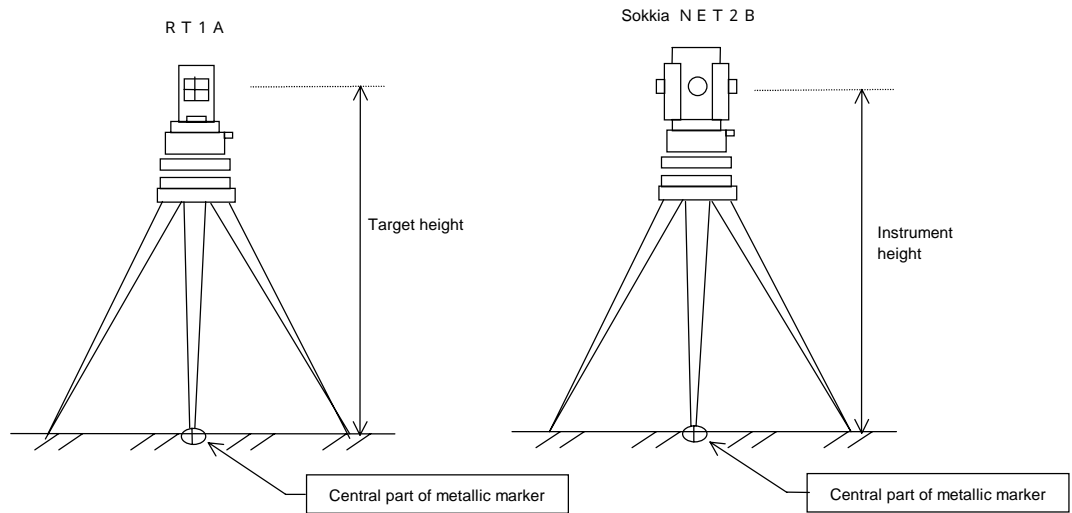
Remarks

Ground marker was an additional point to complete the survey network.

Record Surveying Points

Station name	Kashima station	Type of marker	Metallic marker
Name	Ground Marker	Type of Target	R T 1 A
Name of point	S V E Y X 6	Size of Target	9 0 m m

Detailed drawing



Rough sketch of the area near the point



Photo of the point



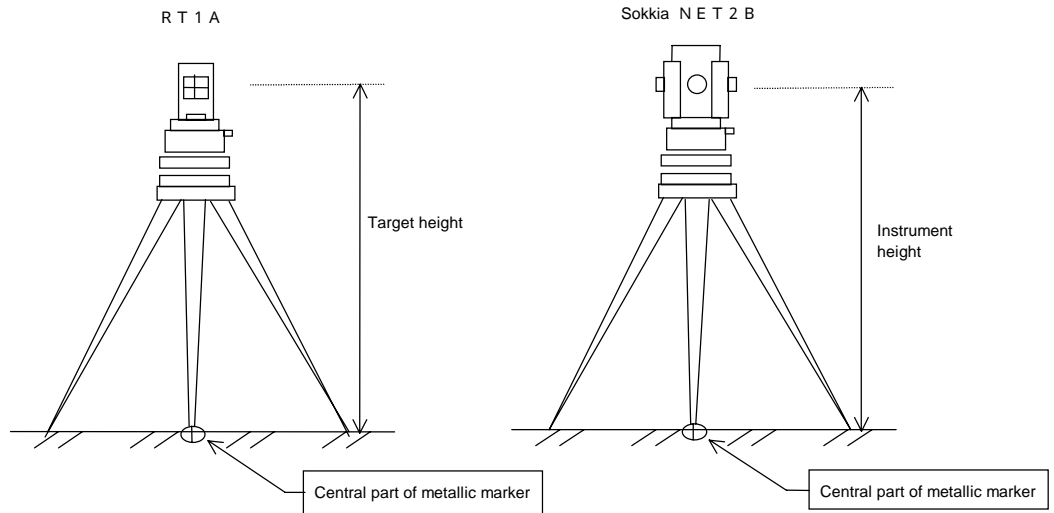
Remarks

Ground marker was an additional point to complete the survey network.

Record Surveying Points

Station name	Kashima station	Type of marker	Metallic marker
Name	Ground Marker	Type of Target	R T 1 A
Name of point	S V E Y X 6 - 1	Size of Target	9 0 m m

Detailed drawing



Rough sketch of the area near the point



Photo of the point



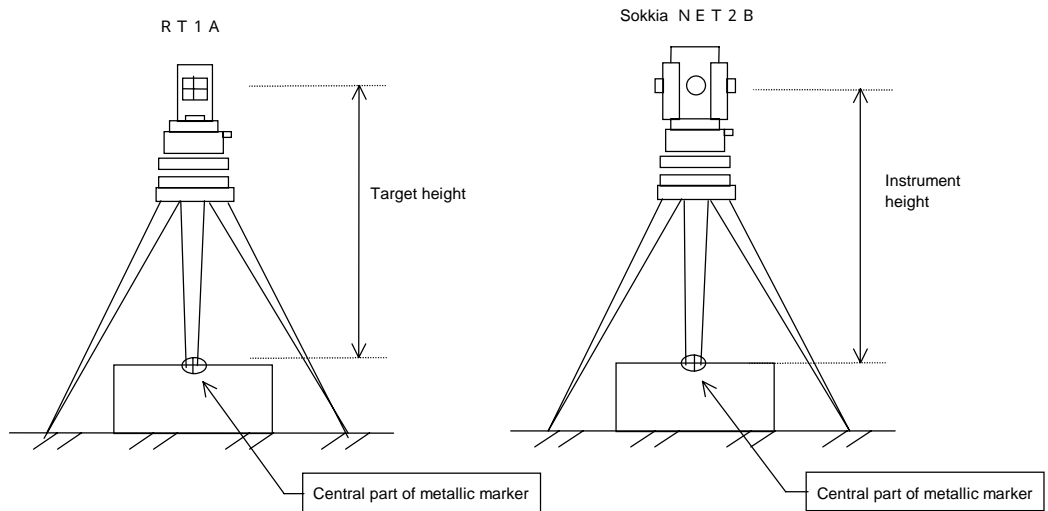
Remarks

Ground marker was an additional point to complete the survey network.

Record Surveying Points

Station name	Kashima station	Type of marker	Metallic marker
Name	Ground Marker	Type of Target	R T 1 A
Name of point	S V E Y X 7	Size of Target	9 0 m m

Detailed drawing



Rough sketch of the area near the point



Photo of the point



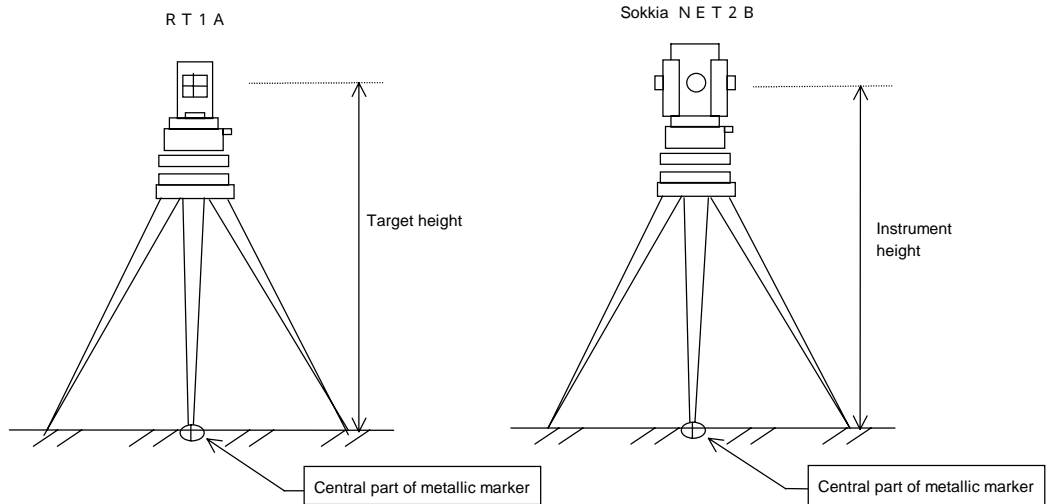
Remarks

Ground marker was an additional point to complete the survey network.

Record Surveying Points

Station name	Kashima station	Type of marker	Metallic marker
Name	Ground Marker	Type of Target	R T 1 A
Name of point	S V E Y X 8	Size of Target	9 0 m m

Detailed drawing



Rough sketch of the area near the point



Photo of the point



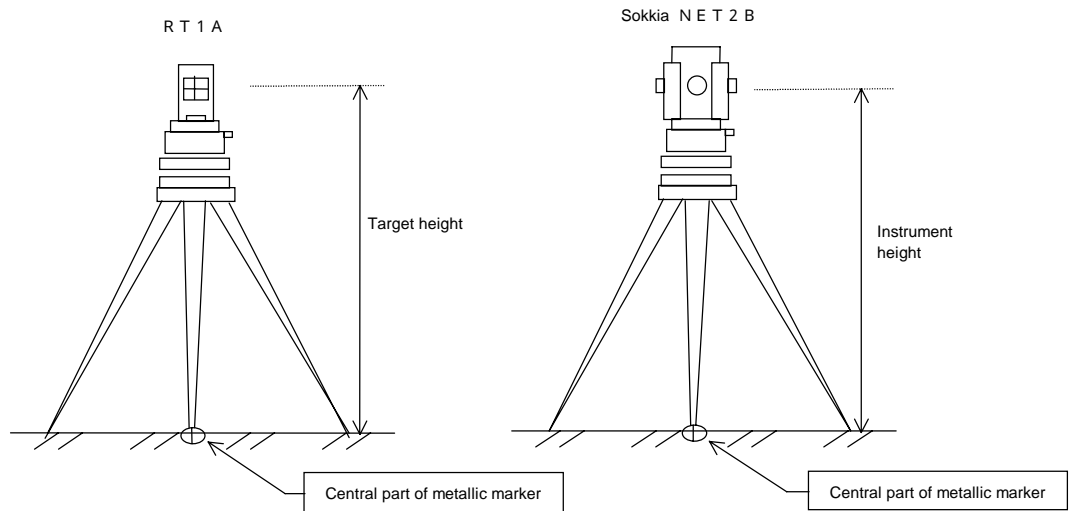
Remarks

Ground marker was an additional point to complete the survey network.

Record Surveying Points

Station name	Kashima station	Type of marker	Metallic marker
Name	Ground Marker	Type of Target	R T 1 A
Name of point	S V E Y X 9	Size of Target	9 0 m m

Detailed drawing



Rough sketch of the area near the point



Photo of the point



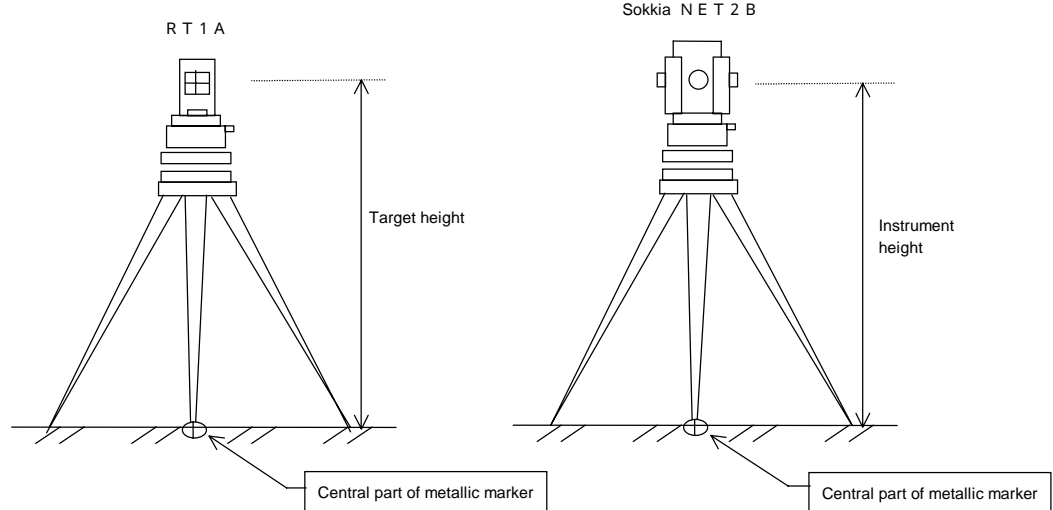
Remarks

Ground marker was an additional point to complete the survey network.

Record Surveying Points

Station name	Kashima station	Type of marker	Metallic marker
Name	Ground Marker	Type of Target	R T 1 A
Name of point	S V E Y X 1 0	Size of Target	9 0 m m

Detailed drawing



Rough sketch of the area near the point



Photo of the point



Remarks

Ground marker was an additional point to complete the survey network.